



Light for Stadium, Light in Weight

In order to replace traditional lighting fixtures for stadium, but retain the old mast, the weight of the led light must be closer to the traditional fixture, and less wind resistance. Our MODULAR 2 series high mast light is designed right in this purpose. With finned pure aluminum radiator, the weight is 60% less, but heat dissipation surface increases 40%.

MODULAR 2

Light Weight

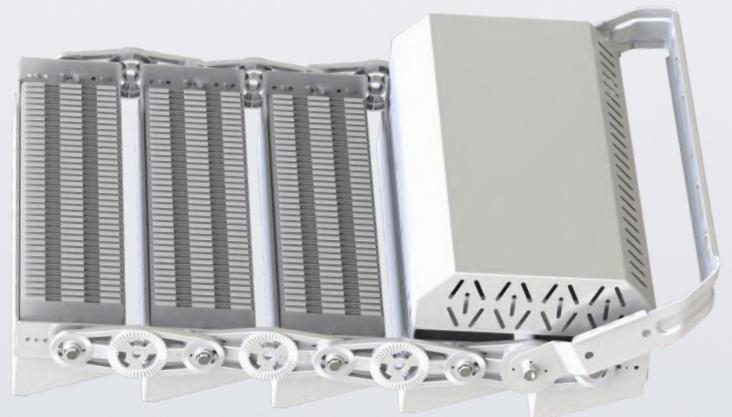
Less in Weight
Low back light, low spill light
Asymmetric optics
150lm/w



Light Weight

500W only 9.8KG
1000W only 18.6KG
1500W only 24.0KG

Pure Aluminum
Better Heat dissipation



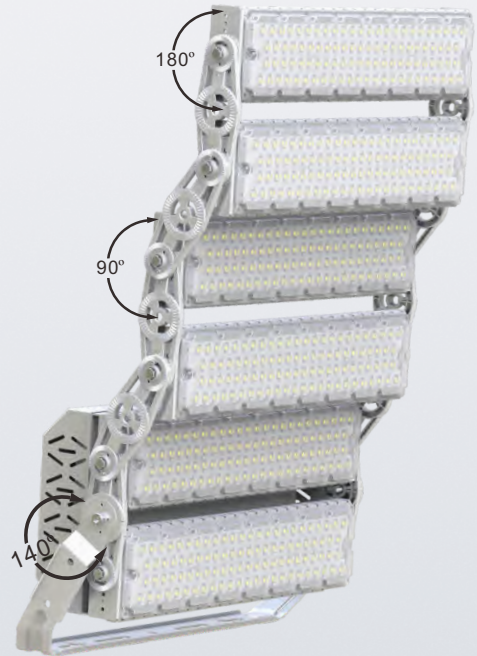


150
LM/W



Precise Angle Rotation

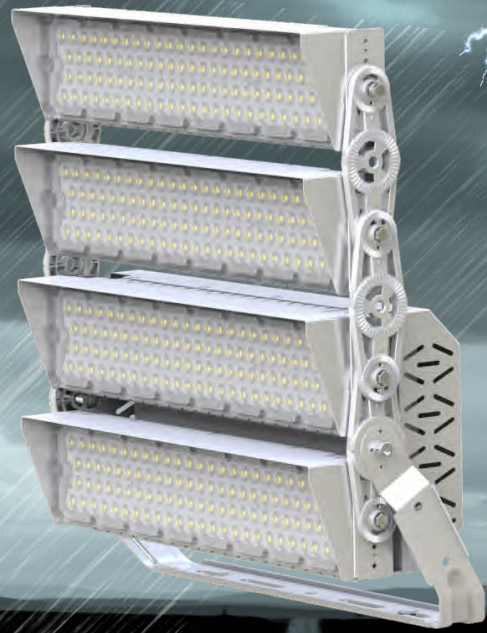
Each module is fixed on a rotatable bracket which makes it a 180° rotating range. The whole fixture can be adjusted 90°, and the fixing bracket can be adjusted 140°.



Visor

Light visors are used to reduce light pollution and light spilling

IP66 Waterproof
6kv/20kv Surge Protection

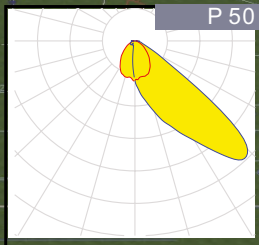
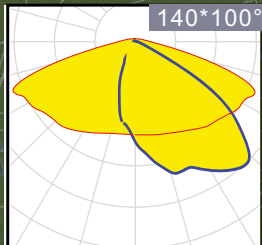
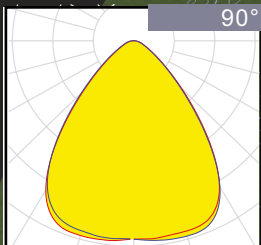
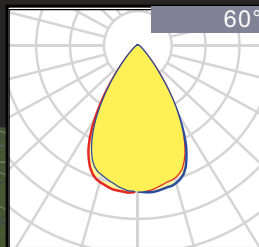
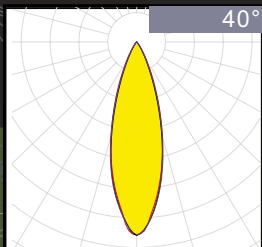
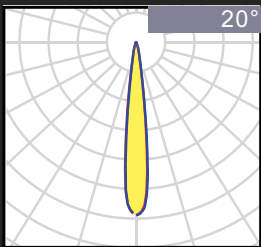


HD TV broadcasting

CRI > 90

TLCI > 90

Flicker free

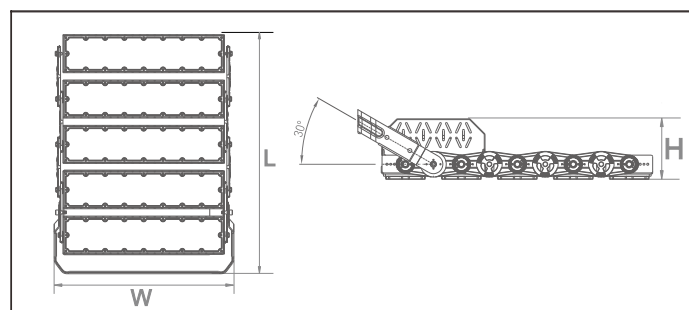


**Various
Lens**



Features

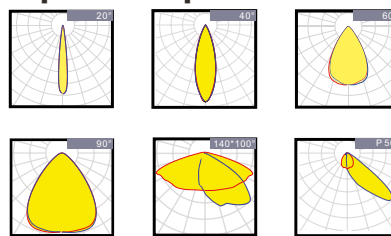
Housing: Pure Aluminum A6063
 Thermal Conductivity: 226 W/m·K
 Led: PHILIPS Lumileds 5050
 CRI: Ra>80 (90 for option)
 SDCM: <6
 Power Factor: >0.95
 THD: <15
 Driver: MEANWELL ELG
 Driver Efficiency: >93%
 Protection: OTP, OCP, OVP, SCP
 Surge Protection: 6KV
 Waterproof: IP65
 Impact Test: IK08
 Electrical: 100-277V, 50/60Hz
 Operating Temperature: -40~50 °C
 TM21: L90B10>50,000H
 Lifetime: 50,000H



Functions

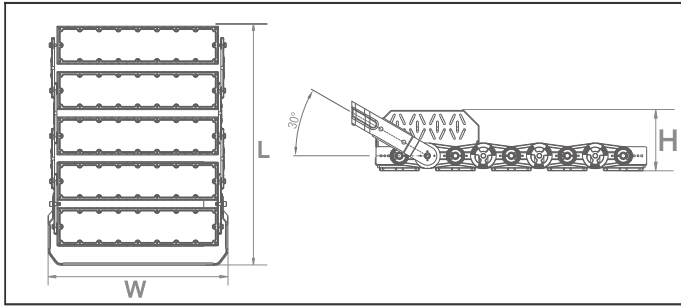
ZigBee · PWM · DALI · 0/1~10V · DMX

Optical options:



Model	Module	Watt	Voltage	Lumen	CRI	IP	Dimension
M2-480HE2H-C	240W Module x2	480W	220~240V	37500LM	>80 (90)	IP65	L628*W350*H160
M2-720HE4H-C	240W Module x3	720W	220~240V	75000LM	>80 (90)	IP65	L484*W587*H195
M2-960HE3H-C	240W Module x4	960W	220~240V	112500LM	>80 (90)	IP65	L632*W587*H195
M2-1K2HE4H-C	240W Module x5	1200W	220~240V	150000LM	>80 (90)	IP65	L780*W587*H195
M2-1K4HE5H-C	240W Module x6	1440W	220~240V	187000LM	>80 (90)	IP65	L928*W587*H195

Packing



Luminaire

Model	L*W*H (mm)	Outer Carton(mm)			QTY/CT N	NW/CTN	GW/CTN
M2-480HE2H-C	628*350*160	638	364	230	1	9.80	11.20
M2-720HE4H-C	484*587*195	636	556	237	1	14.20	16.20
M2-960HE3H-C	632*587*195	704	636	237	1	18.60	21.30
M2-1K2HE4H-C	780*587*195	852	636	237	1	21.00	23.90
M2-1K4HE5H-C	928*587*195	1000	636	237	1	24.00	27.70