



**II 2G Ex eb mb IIC T4 Gb**  
**II 2D Ex tb IIC T(95°C) Db**

“

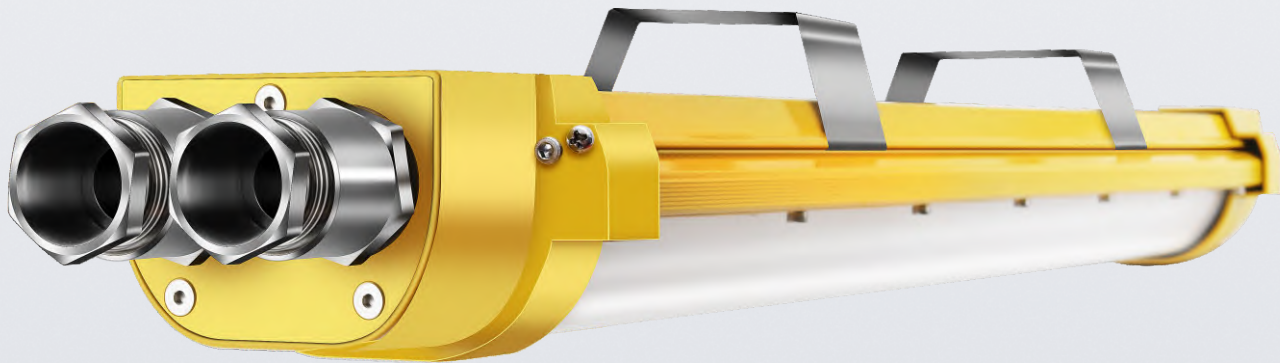
With Atex certified, our explosion proof light can be widely used for applications of flammable and explosive chemical materials. Bridgelux led and specially designed driver are used to guarantee safety and long lifetime.

”





**II 2G Ex eb mb IIC T4 Gb**  
**II 2D Ex tb IIIC T(95°C) Db**

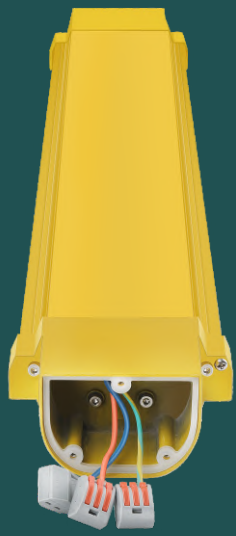


With ATEX certified, our explosion proof light fixture can be widely used for place of flammable and explosive chemical materials. Bridgelux brand led and specially designed high quality driver are used to guarantee safety and long lifespan. With 120lm/w high efficiency, our 40w can replace 120w traditional fixture. We give 5 years warranty

**120LM/W**

Bridgelux led is used to reach  
120lm/w

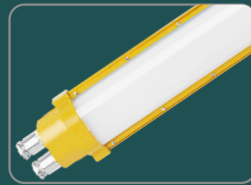
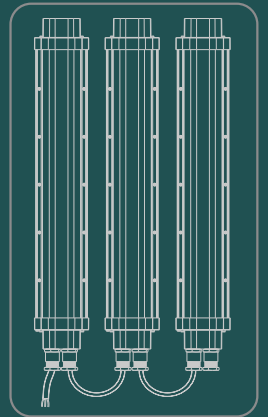
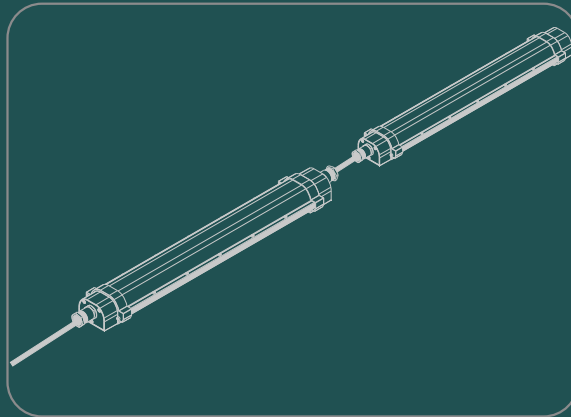
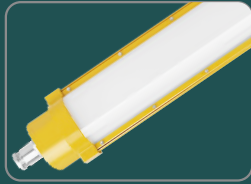




**Wago**  
connectors  
Easy Rewiring  
Cost Saving

## Linkable in Series

Each fixture has end cap with one gland and two glands for options. It can be open very easily. With 3x2.5mm<sup>2</sup> wire through, it is linkable in series



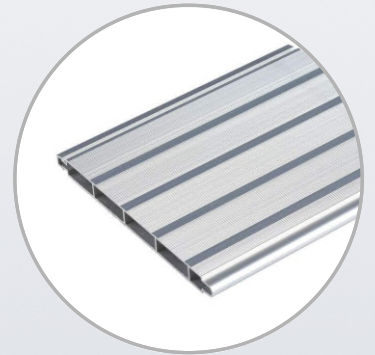
## More Than Good



Bridgelux LED



Explosion Proof Driver



Aluminum heatsink

## Application

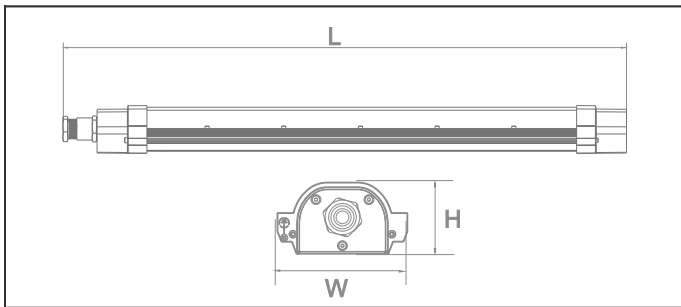
Applied to oil fields, oil refineries, offshore oil platform, power plants, gas stations, oil tanks, wharf, tunnel, pumping station, substation, the military base, etc. Zone I and Zone II Hazardous Locations, Zone 20, Zone 21, Zone 22 and II A, IIB, IIC explosive gas atmosphere.

Zone 1 Zone 2  
Zone 21 Zone 22



## Features

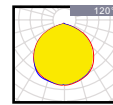
Housing: Pure Aluminum A6063  
 Thermal Conductivity: 226 W/m·K  
 Led: Bridgelux  
 CRI: Ra>80  
 SDCM: <6  
 Power Factor: >0.95  
 THD: <15  
 Driver: Explosion Proof Driver  
 Driver Efficiency: >92%  
 Protection: OTP, OCP, OVP, SCP  
 Surge Protection: 4KV  
 Waterproof: IP65  
 Impact Test: IK10  
 Corrosion Proof: WF2  
 Electrical: 220-240V, 50/60Hz  
 Operating Temperature: -25~45°C  
 TM21: L90B10>50,000H  
 Lifetime: 50,000H



## Functions

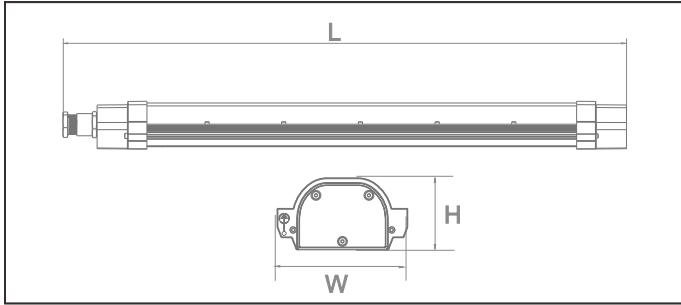
ZigBee · PWM · DALI · 0/1~10V

## Optical options:



Model	Watt	Voltage	Lumen	CRI	IP	Dimension
TP20SE2E-BG	20W	220~240V	2400LM	>80	IP65	L735*W115*H63MM
TP40SE2E-BG	40W	220~240V	4800LM	>80	IP65	L735*W115*H63MM
TP40SE4E-BG	40W	220~240V	4800LM	>80	IP65	L1335*W115*H63MM
TP60SE4E-BG	60W	220~240V	7200LM	>80	IP65	L1335*W115*H63MM
TP80SE4E-BG	80W	220~240V	9600LM	>80	IP65	L1335*W115*H63MM

# Packing



Model	L*W*H (mm)	Inner Carton(mm)			QTY / INNER CTN	Outer Carton(mm)			QTY / Outer CTN	NW/CTN	GW/CTN
TP20SE2E-BG	735*115*63	/	/	/	/	900	160	115	1	2.60	3.30
TP40SE2E-BG	735*115*63	/	/	/	/	900	160	115	1	2.60	3.30
TP40SE4E-BG	1335*115*63	/	/	/	/	1500	160	115	1	4.00	4.70
TP60SE4E-BG	1335*115*63	/	/	/	/	1500	160	115	1	4.00	4.70
TP80SE4E-BG	1335*115*63	/	/	/	/	1500	160	115	1	4.10	4.80