

Navigator



Solution for sport field

Redefine Anti-Glaring

Anti-glaring light is required more and more for applications where people doesn't feel comfortable with the glaring light, especially in stadium. Navigator series floodlight is the ideal solution for visual protection.

”



**Anti
Glaring**

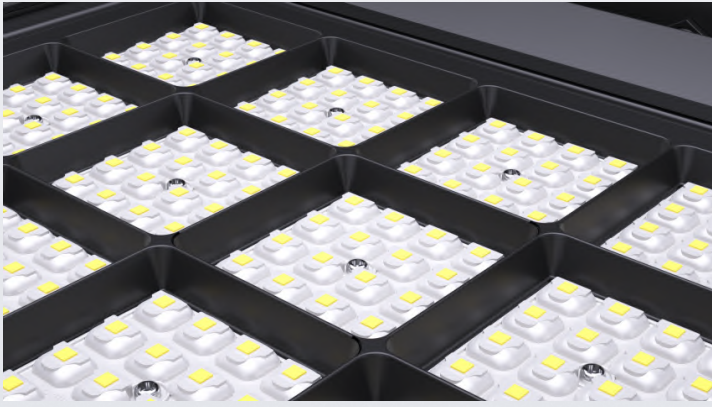


UGR <21

The Optics was specially developed to minimize glare and maximize homogeneity. With an anti-glaring film on the lens and a shield in front, we managed to achieve UGR<21

140LM/W



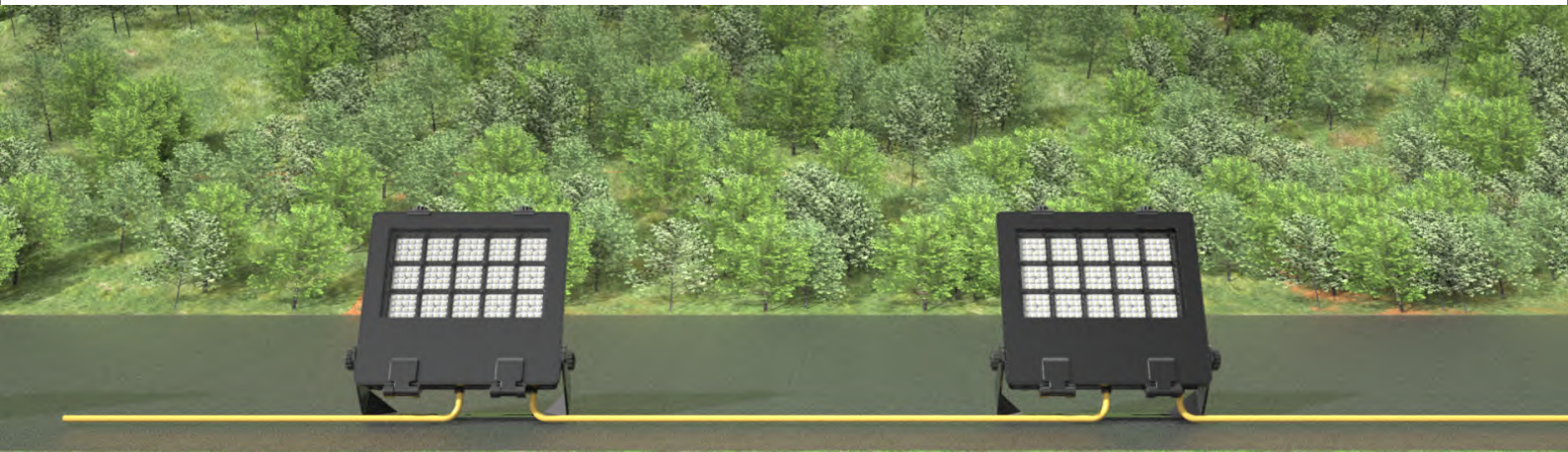


Tempered glass
PMMA lens

EASY TO OPEN



Screw-free, easy to open
Rewiring inside, easy to install
10 different optics changeable

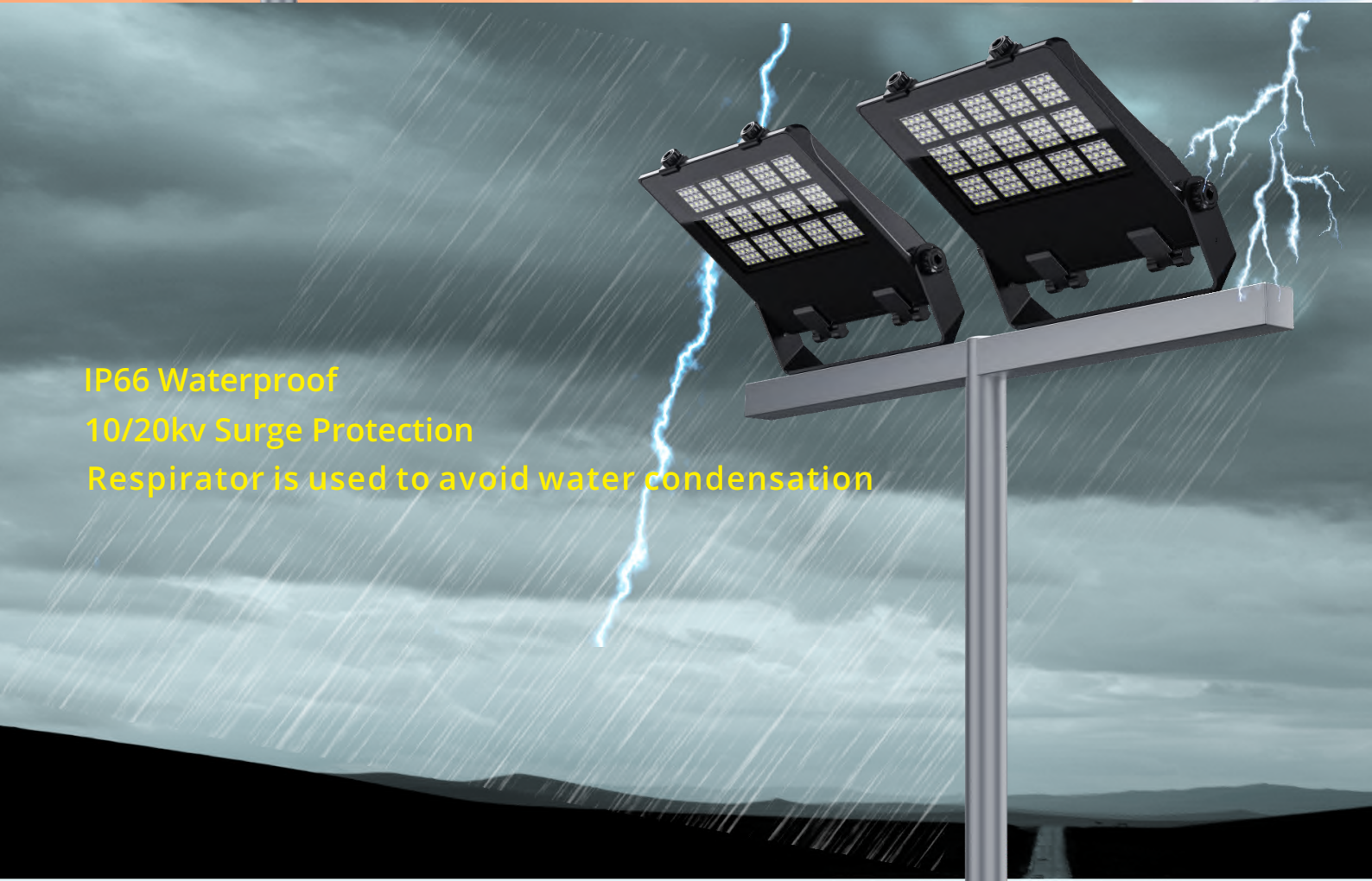


Linkable in series



IK10

Games where objects often fly at certain heights can cause damage to light fixtures with minimal impact protection. The navigator Series LED fixture, certified up to IK10 rating, is engineered with mesh protection design and durable materials, offering higher impact resistance than normal fixtures.



IP66 Waterproof

10/20kv Surge Protection

Respirator is used to avoid water condensation



After 5 years



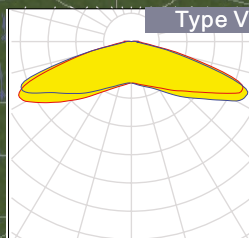
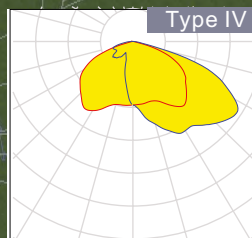
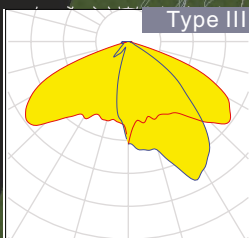
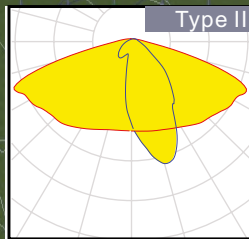
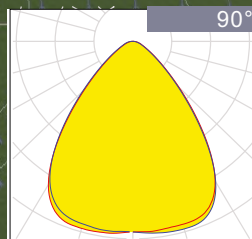
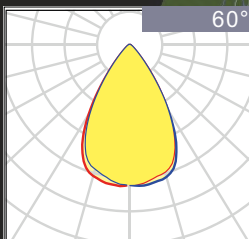
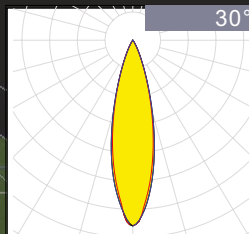
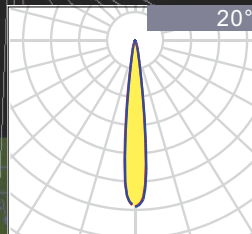
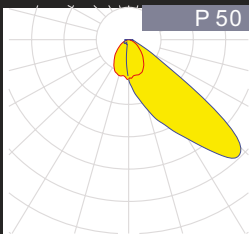
After 2 years



PMMA lens, with glass in front
Best UV resistance



PC Lens, without glass
Low UV resistance



Various
Lens



CE RoHS compliant

LM 79

LM 80

TM 21



UGR<21

Features

Housing: Die-cast Aluminum ADC12

Thermal Conductivity: 96 W/m·K

Led: CREE JK3030

CRI: Ra>70 (80/90 for option)

SDCM: <6

Power Factor: >0.95

THD: <15

Driver: Meanwell ELG

Driver Efficiency: >90%

Protection: OTP, OCP, OVP, SCP

Surge Protection: 6KV

Waterproof: IP66

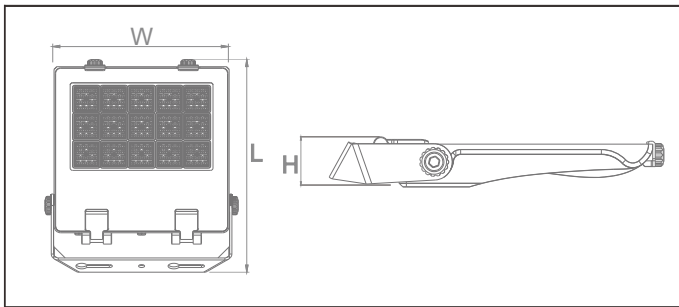
Impact Test: IK08 & IK10

Electrical: 220-240V, 50/60Hz

Operating Temperature: -40~50°C

TM21: L90B10>50,000H

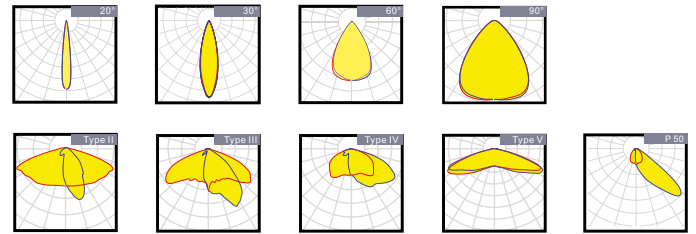
Lifetime: 50,000H



Functions

ZigBee · PWM · DALI · 0/1~10V · Micro-wave · PIR

Optical options:



140lm/w

5 YEARS WARRANTY

Meanwell Driver

CREE LED

Model	Watt	Voltage	Lumen	CRI	IP	Dimension
NV100NE-M	100W	220~240V	14000LM	>70 (80)	IP66	L461*W320*H69MM
NV150NE-M	150W	220~240V	21000LM	>70 (80)	IP66	L461*W320*H69MM
NV200NE-M	200W	220~240V	28000LM	>70 (80)	IP66	L461*W380*H69MM
NV240NE-M	240W	220~240V	33600LM	>70 (80)	IP66	L534*W440*H69MM
NV300NE-M	300W	220~240V	42000LM	>70 (80)	IP66	L534*W440*H69MM

Note: Type II/Type III/Type IV/Type V/P50 Brightness 120lm/w



CE RoHS compliant

LM 79

LM 80

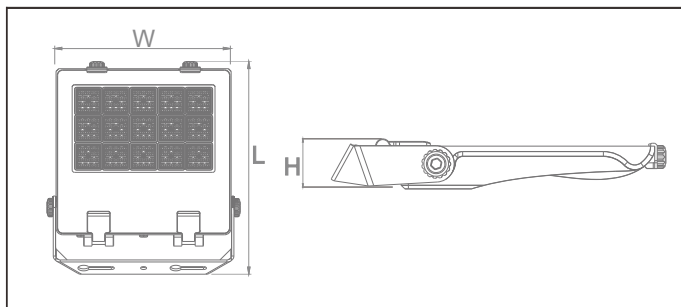
TM 21



Features

- Housing: Die-cast Aluminum ADC12
- Thermal Conductivity: 96 W/m·K
- Led: CREE JK3030
- CRI: Ra>70 (80/90 for option)
- SDCM: <6
- Power Factor: >0.95
- THD: <15
- Driver: Sosen
- Driver Efficiency: >90%
- Protection: OTP, OCP, OVP, SCP
- Surge Protection: 10KV
- Waterproof: IP66
- Impact Test: IK08 & IK10
- Electrical: 100-277V, 50/60Hz
- Operating Temperature: -40~50°C
- TM21: L90B10>50,000H
- Lifetime: 50,000H

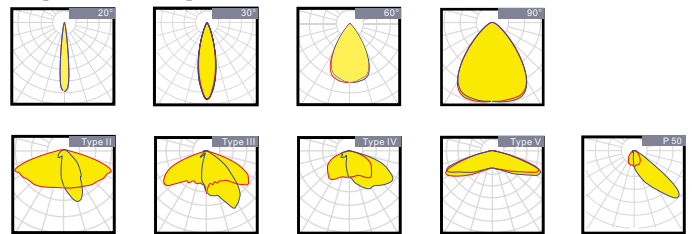
UGR<21



Functions

ZigBee · PWM · DALI · 0/1~10V · Micro-wave · PIR

Optical options:



140lm/w

5 YEARS WARRANTY

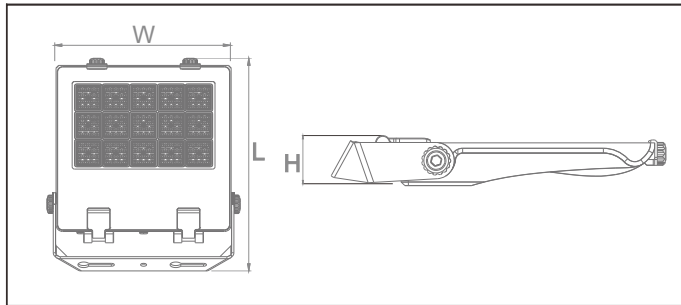
Sosen Driver

CREE LED

Model	Watt	Voltage	Lumen	CRI	IP	Dimension
NV100NE-S	100W	100~277V	14000LM	>70 (80)	IP66	L461*W320*H69MM
NV150NE-S	150W	100~277V	21000LM	>70 (80)	IP66	L461*W320*H69MM
NV200NE-S	200W	100~277V	28000LM	>70 (80)	IP66	L461*W380*H69MM
NV240NE-S	240W	100~277V	33600LM	>70 (80)	IP66	L534*W440*H69MM
NV300NE-S	300W	100~277V	42000LM	>70 (80)	IP66	L534*W440*H69MM

Note: Type II/Type III/Type IV/Type V/P50 Brightness 120lm/w

Packing



Model	Dimension(mm)			Outer Carton(mm)			QTY / Outer CTN	NW/CTN	GW/CTN
NV100NE1G-CM	461	320	69	482	370	110	1	5.1	6.1
NV150NE1G-CM	461	320	69	482	370	110	1	5.1	6.1
NV200NE1G-CM	461	320	69	482	430	110	1	5.8	6.8
NV240NE1G-CM	534	440	69	553	490	110	1	8.6	10.0
NV300NE1G-CM	534	440	69	553	490	110	1	9.5	11.0